



# 2600, 2400, 2300 FOGGERS USER'S MANUAL

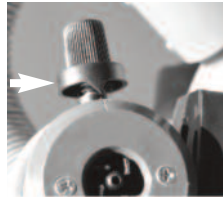
## Safety Precautions

- Connect unit to the designated electrical supply:  
Do not connect 110V units to 220V power,  
Do not connect 220V units to 110V power.
- Do not move or position the fogger by pulling it by the electric cord.
- Always use a grounded (3 terminal) extension cord.



## Before Starting

- Calibrate the adjustment knob:
- Turn the knob until closed
- Push down on base of knob and align the point with groove on the nozzle
- Release base to set the point
- Push down and turn the base, align with groove



## Operating Instructions

### Filling

- Do not add more than 1.5 gallons (5.5 liters) liquid to the tank.
- Do not mix chemical in the tank; pre-mix and then add to the tank.
- Mix all chemicals according to label directions.

### Placement During Operation

- Never place fogger directly on floor, always elevate to keep dust and moisture out of fogger
- Do not operate fogger in enclosed or small areas for more than 30 minutes.

## 2400, 2600 Operation

- Adjustment knob open one-quarter to one-half turn - This delivers a ULV fog.
- The spray can not be seen because the droplets are very small.
- Adjustment knob open one full turn - This delivers a power mist which is visible from nozzle.



## Very Important

- When fogging is finished and the unit will be turned off, follow this sequence:

First, turn off adjustment knob

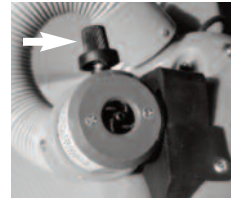
Second, turn off electric power

Third, open the tank cap

*Turn off the adjustment knob before turning power off*

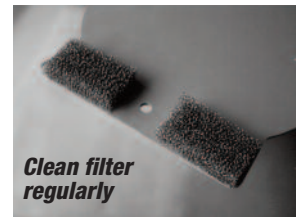
**Note:** Failure to follow this sequence can result in liquid

insecticide dripping into the hose and eventually reaching and destroying the motor.



## Care and Maintenance

- Always empty and flush the tank after each use; never leave chemicals in tank for extended periods
- Inspect spray hose and electric cord for wear or damage.
- Protect nozzle when not in use.
- Clean the filters on the bottom plate of the fogger; be certain to replace (this protects the motor).



## Trouble Shooting

**Problem:** Fog and power mist is weak

**Solution:** • Tighten the cap

**Problem:** Liquid forms around the base of the motor housing, around mounting screws

**Solution:** • Unit may have been operating too long and fog droplets in the air are forming on the metal screws

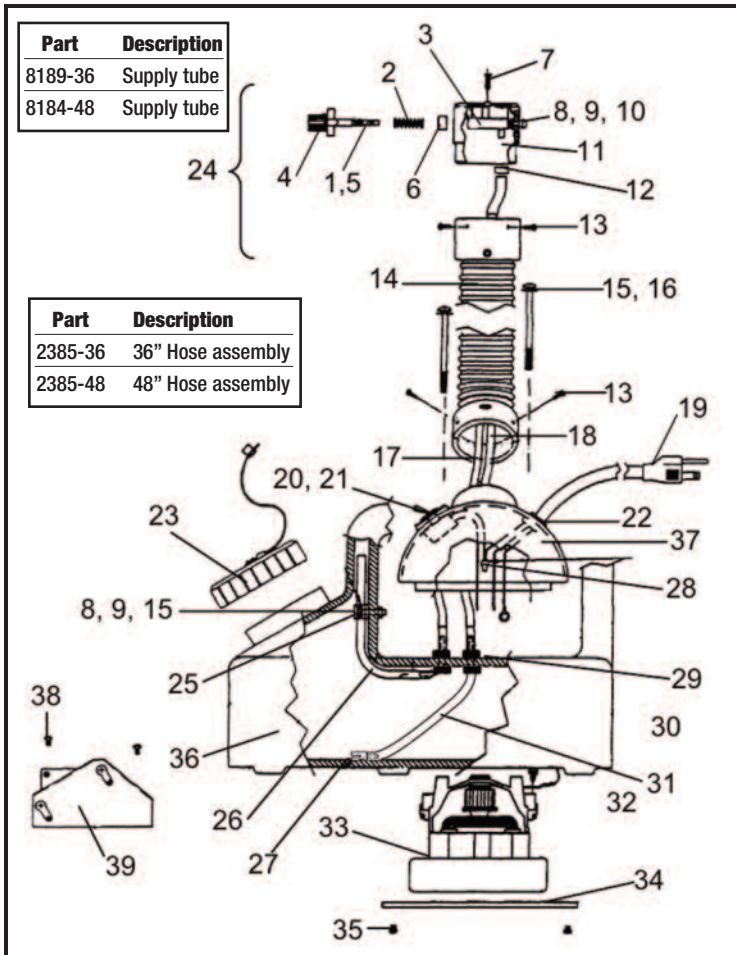
**Problem:** Fogger is operating erratically; frequently turning on and off

**Solution:** • Inspect the electric cord and the plug for damage  
• Motor may be damaged from moisture, replace motor

**Problem:** Fogger becomes very warm (hot) during normal operation

**Solution:** • Remove the lower plate (motor guard) and clean the filters with a nylon brush

# FLEX-A-LITE 2600



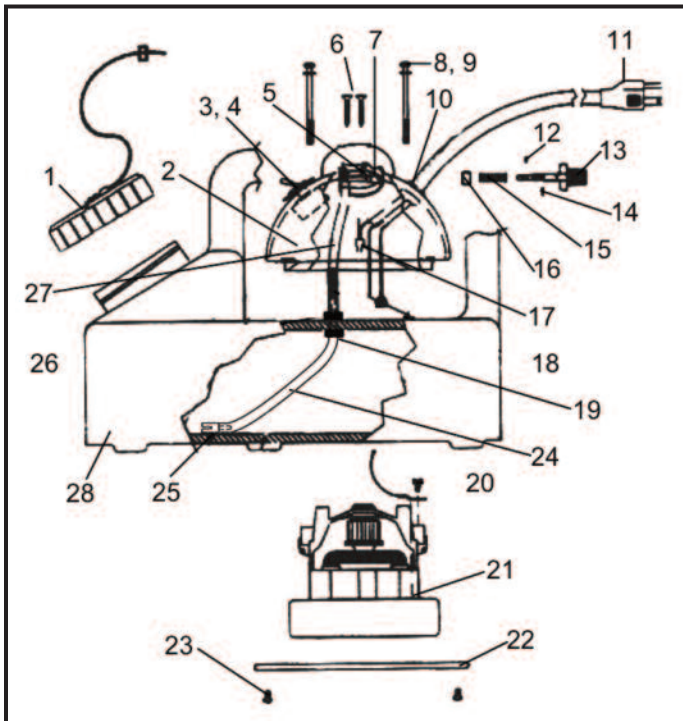
Part	Description
8189-36	Supply tube
8184-48	Supply tube

Part	Description
2385-36	36" Hose assembly
2385-48	48" Hose assembly

#	Part #	Description	#	Part #	Description
1	2332	Clip	20	2340	220v switch
2	2334	Spring	21	990	Switch boot
3	2346	Venturi	22	2315	Strain relief
4	2331	Knob asbly	23	1103	Cap and O-ring
5	2330	O-Ring	24	2384	Nozzle asbly
6	2333	Sleeve	25	2358	Tube retainer
7	2329	Screw	26	Ref.	Item #17
8	2352	Screw	27	2312	Strainer
9	2357	Hex nut	28	2316	Wire connector
10	2359	Spacer	29	8156	Grommet
11	2353	Nozzle	30	Open	Open
12	1433	Spring clamp	31	Ref.	Item #18
13	2354	Screw	32	Open	Open
14	2385-18	Hose asbly	33	2323	Motor 110V
15	8123	Spacer	33	2324	Motor 220V
16	2308	Screw	34	2305	Motor guard
17	8182	Pressure tube	35	2306	Screw
18	8188-18	Supply tube	36	2605	Tank
19	2314	110v cord	37	2608	Housing
19	2341	220v cord	38	1145	Screw
20	2311	Switch	39	2355	Mount plate



135 REGION SOUTH DRIVE • JACKSON, GA 30233  
 Toll Free 800-544-8811 • Phone 678-688-5601  
 www.bgequip.com • Fax 678-688-5633



# MY-TI-LITE 2300, ULTRA-LITE 2400

#	Part	Description	#	Part #	Description
1	1103	Cap and O-Ring	13	2331	Valve rod, knob (2400)
2	2306	Housing (Model 2300)	14	2332	Clip (Model 2400)
2	2406	Housing (Model 2400)	15	2334	Spring (Model 2400)
3	990	Switch boot	16	2333	Sleeve (Model 2400)
4	2311	Switch 110V	17	2316	Wire connector
4	2340	Switch 220V	18	Open	Open
5	1433	Spring Clamp	19	8156	Grommet
6	2329	Screw	20	Open	Open
7	2346	Venturi (Model 2400)	21	2323	Motor 110V
7	8186	Venturi (Model 2300)	21	2324	Motor 220V
8	8123	Spacer	22	2305	Motor guard
9	2308	Screw	23	2306	Screw
10	2315	Strain relief	24	8194	Supply tube
11	2314	Electric cord 110V	25	2312	Strainer
11	2341	Electric cord 220V	26	Open	Open
12	2330	O-ring (Model 2400)	27	Ref.	Item #24
12	2337	Plug (Model 2300)	28	2404	Tank

B&G Help Line  
**800-544-8811**